

# QRF/QRM DIN COUPLINGS

**DIN B – Ball valve**

**DIN – Poppet valve**

## INTRODUCTION

Our DIN couplings are offered with a choice of either ball or poppet valve mechanisms for automatic flow shut-off when disconnected. The ball valve option is primarily intended for applications where compatibility with existing equipment is essential. For new applications we recommend poppet valve couplings as the more durable option.

## CONSTRUCTION

Zinc plated carbon steel with highly stressed components carbonitrided. Nitrile seals with Teflon PTFE backing ring.

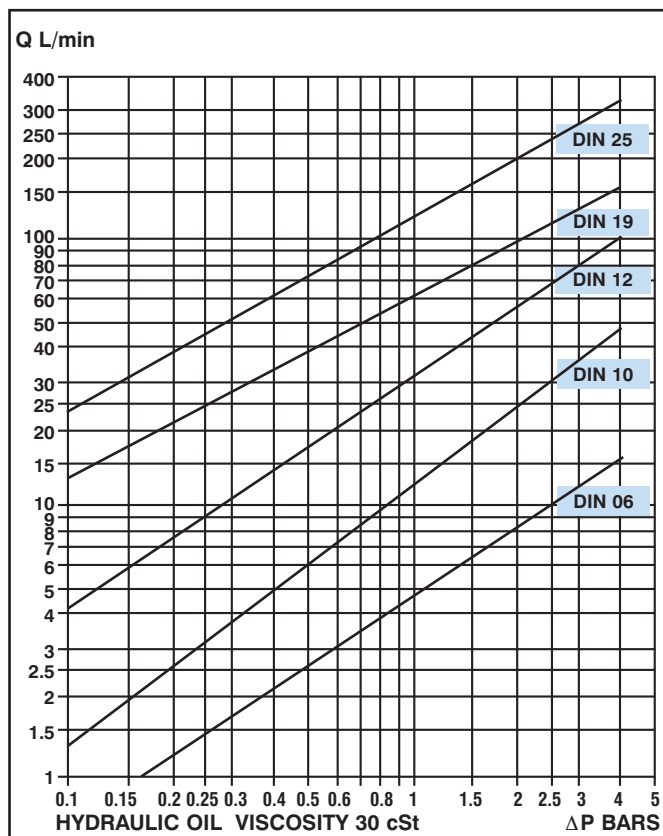
## TECHNICAL INFORMATION

BSP thread is standard, other threads available on request. The temperature range for nitrile seals is:  $-20^{\circ}\text{C}$  to  $+100^{\circ}\text{C}$  at working pressure.



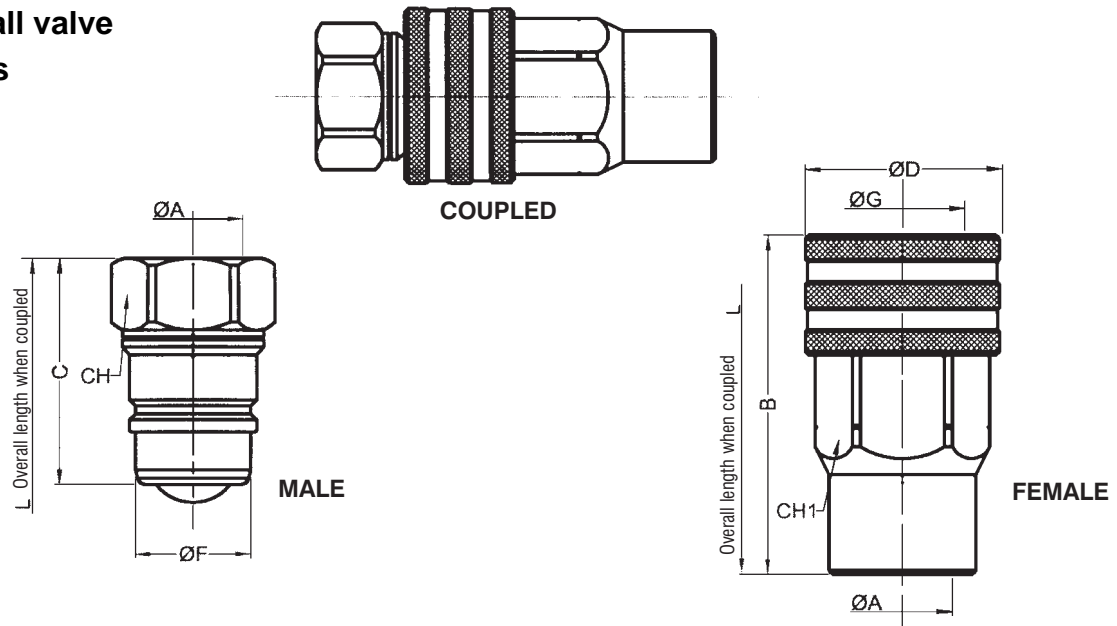
*QRF/QRM ball valve couplings*

## PRESSURE DROP FLOW CHART



*QRF/QRM poppet valve couplings*

DIN 'B' ball valve  
couplings

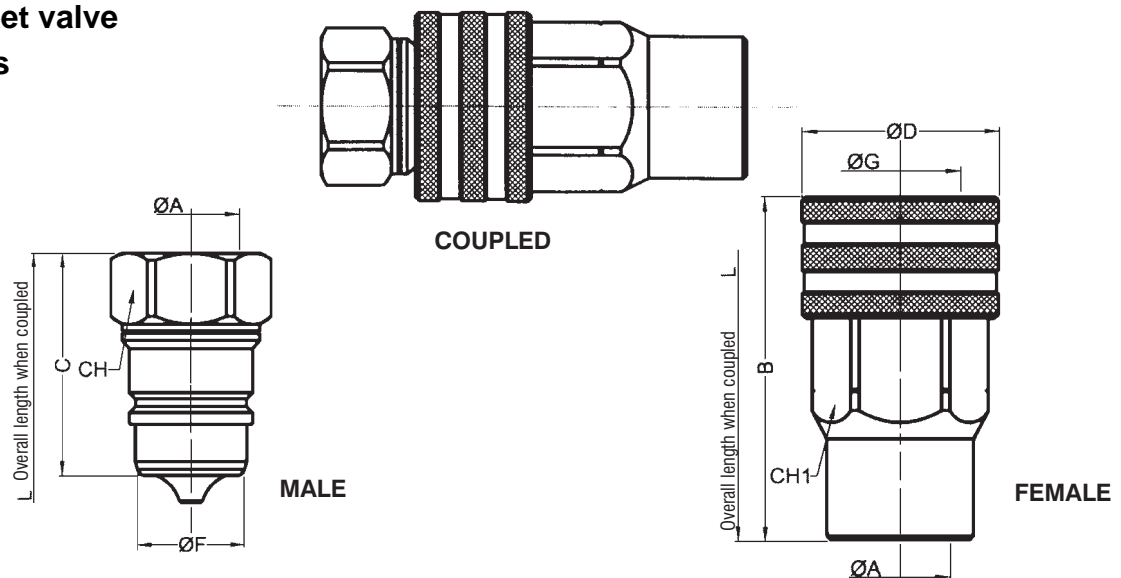


Size	Max Working pressure (bar)	ØA	B	C	CH	CH1	ØD	ØF	ØG	L
04	350	1/4"	53.5	36	19	22	27	14.15	16.9	73
06	300	3/8"	61	40.5	24	27	34	18.95	21.6	82
08	280	1/2"	63.5	46	27	30	38	20.5	23.8	88
12	250	3/4"	85	56	36	38	48	27.95	31.1	113
16	230	1"	96.5	63	41	45	55	31.3	34.6	127

All dimensions in mm except where shown

1/2" Not available

DIN poppet valve  
couplings



Size	Max Working pressure (bar)	ØA	B	C	CH	CH1	ØD	ØF	ØG	L
04	350	1/4"	53.5	36	19	22	27	14.15	16.9	73
06	300	3/8"	61	40.5	24	27	34	18.95	21.6	82
08	280	1/2"	63.5	46	27	30	38	20.5	23.8	88
12	250	3/4"	85	56	36	38	48	27.95	31.1	113
16	230	1"	96.5	63	41	45	55	31.3	34.6	127

All dimensions in mm except where shown

1/2" Not available